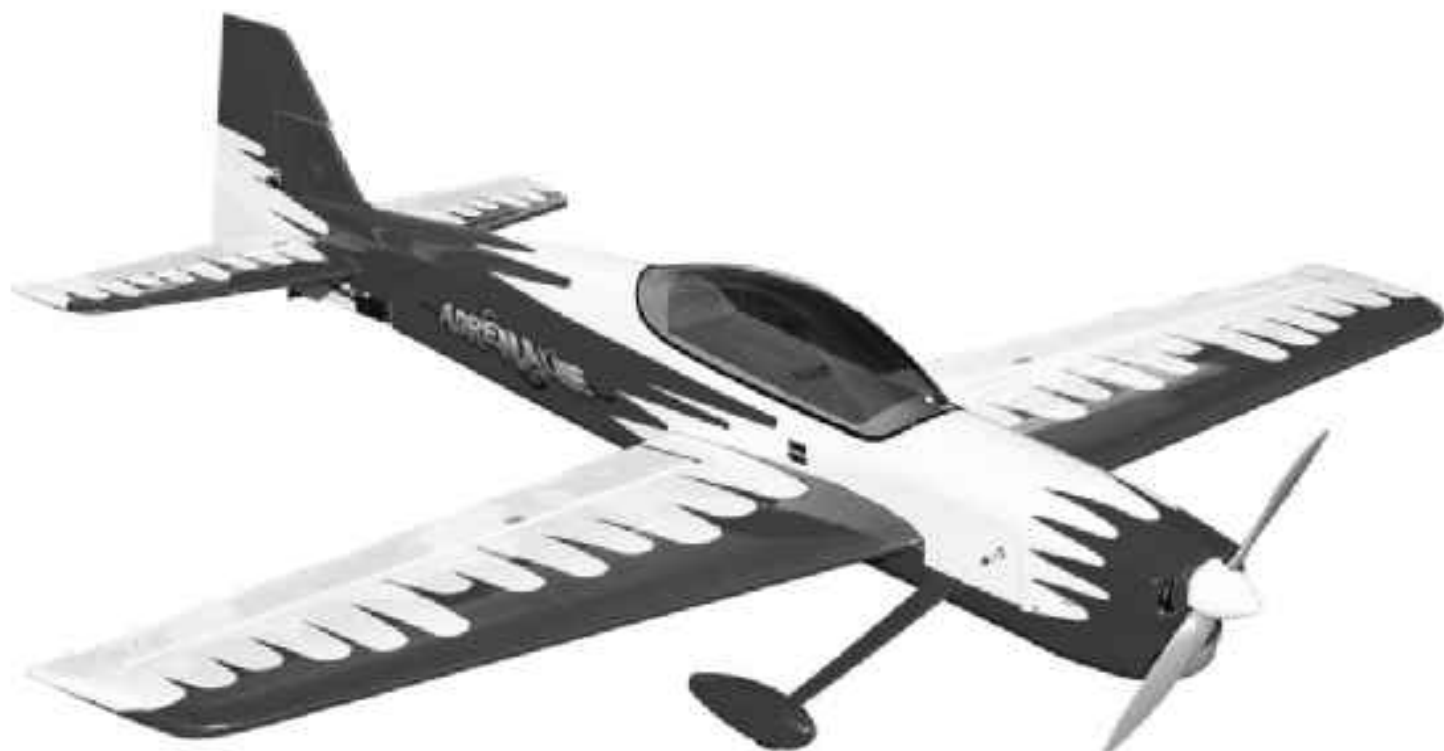


Before start ,please carefully read the explanations!

ADRENALINE



Specification:

Length	:1700 mm(66.9")
Wing Span	:1727 mm(68")
Wing Area	:57.5 sq. dm 6.2 sq. ft
Wing Loading	:64.4 g/sq. dm 21.1 oz/sq. ft
Flying Weight	:3.7 kg(130.5oz)
Radio	:5ch&7 servos
Engine	:108 2-cycle 120 4-cycle

INSTRUCTION MANUAL



SAFETY PRECAUTIONS

This radio control model is not a toy!

First-time builders should seek advice from people having building experience in order to assemble the model correctly and to produce its performance to a full extent.

Assemble this kit only in places out of children's reach!

Take enough safety precautions prior to operating this model.

You are responsible for this model's assembly and safe operation!

Always keep this instruction manual ready at hand for quick reference, even after completing the assembly.

REQUIRED FOR OPERATION (Purchase separately!)



CAUTION: For details concerning the equipment listed below (size, maker, etc.), check with your hobby shop.

1

A minimum 5 channel radio for airplanes (with 7 servos), and dry batteries.



CAUTION: Only use a minimum 5 channel radio for airplanes! (No other radio may be used!)

5 channel radio for airplane is highly recommended for this model.

12 AA-size Batteries



A minimum 5 channel transmitter for airplanes.



Choose servos with large torque to achieve great performance.

For handling the radio properly, refer to its instruction manual.

2

Engine and Muffler

Model Airplane Engine 4-cycle .120

Muffler



Glow Plug



3

Propeller Spinner



64mm Spinner

Purchase a propeller that will match your engine.



14X6

4

Sponge Sheet



Silicone Tube



Fuel Filter



5

Required for engine-starting:



WARNING: Normal gasoline cannot be used with glow engines.

Glow engine fuel only.



Fuel Pump



Booster Cord



4 D-size Batteries



Plug Wrench



6

Glue

Instant Glue



Epoxy Glue



7

Other equipment for enhancing airplane operation & performance

Engine Starter



12V Battery (for starter)



TOOLS REQUIRED (Purchase separately!)

Sharp Hobby Knife



Phillips Screw Driver (l, m, s)



Awl



Needle Nose Pliers



Wire Cutters



Scissors



BEFORE YOU BEGIN

1

Read through the manual before you begin, so you will have an overall idea of what to do.

2

Check all parts. If you find any defective or missing parts, contact your local dealer.

3

Symbols used throughout this instruction manual, comprise:



Apply epoxy glue.



Drill holes with the specified diameter (2mm).



Cut off excess.



Pay close attention here!



Assemble left and right sides the same way.



Apply instant glue (CA glue, super glue).



Cut off shade portion.



Ensure smooth non-binding movement while assembling.



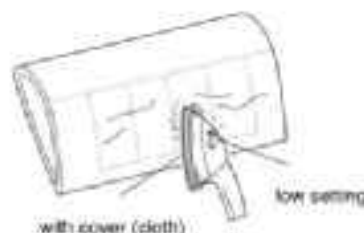
Must be purchased separately!

Do not overlook this Symbol!



Warning!

The pre-covered film on ARF kits may wrinkle due to variations of temperature. Smooth out as explained right.



► Use an iron covered with a cloth! Start at low setting. Increase the setting if necessary. If it is too high, you may damage the film.

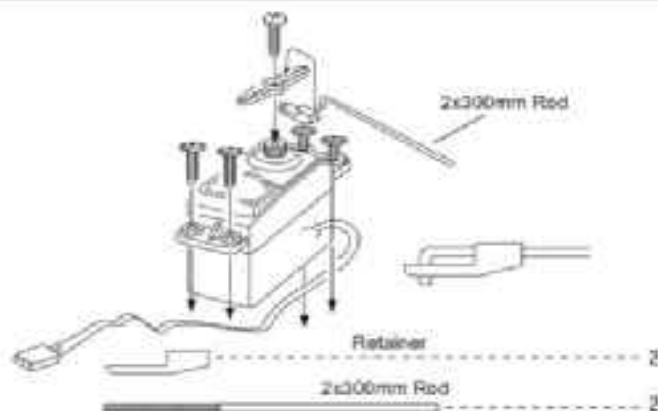


Accessory list for this page.

	CA Hinge	8
	Retainer	2
	Clevis	2
	Horn	2
	Plate	2
	2x300mm Rod	2
	2x35mm Screw	4

3

Install the servo.



Warning!

► Steel or carbon rod is recommended.

1

Apply instant type CA glue to both sides of each hinge.



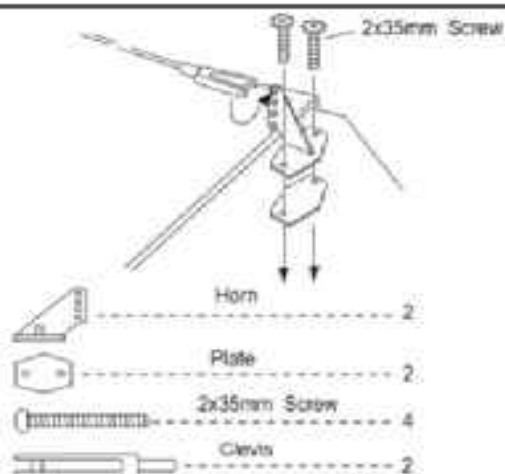
Warning!

► Securely glue together. If coming off during flights, you'll lose control of your airplane which leads to accidents!



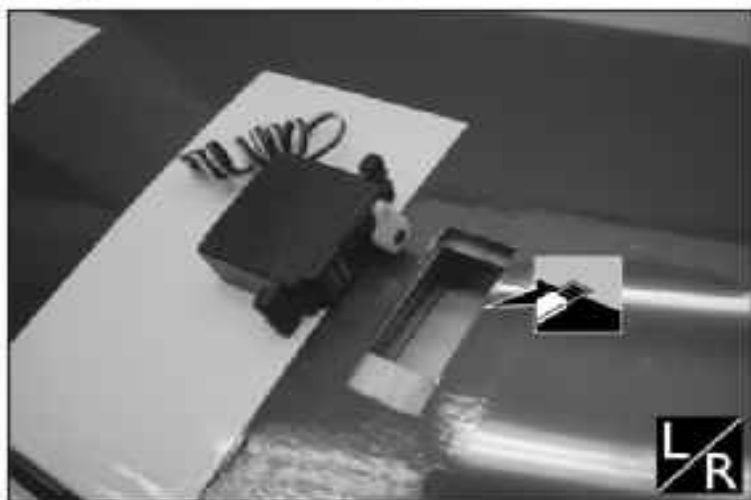
4

Connect the linkage rod to the horn.



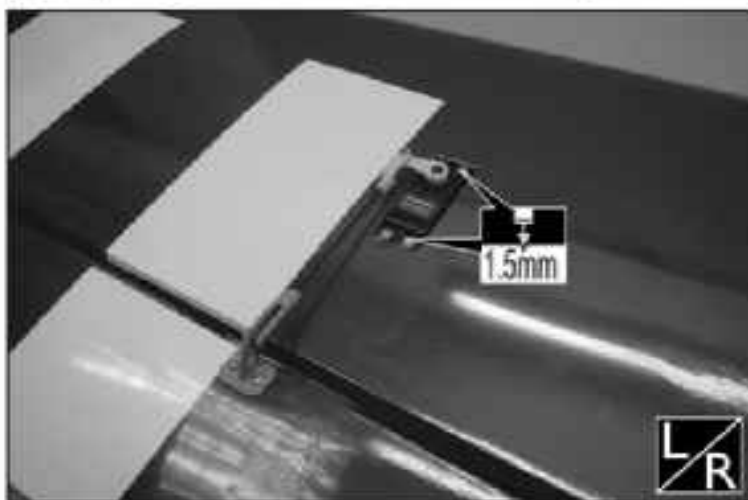
2

Cut off the film carefully for mounting the aileron servo tray.



5

Secure the aileron servo. Install the nylon control horn and connect the linkage.



Apply epoxy glue.



Assemble left and right sides the same way.



Pay close attention here!



Apply instant glue (CA glue, super glue).



Ensure smooth non-binding movement while assembling.



Cut off shaded portion.

Do not overlook this symbol!



Warning!

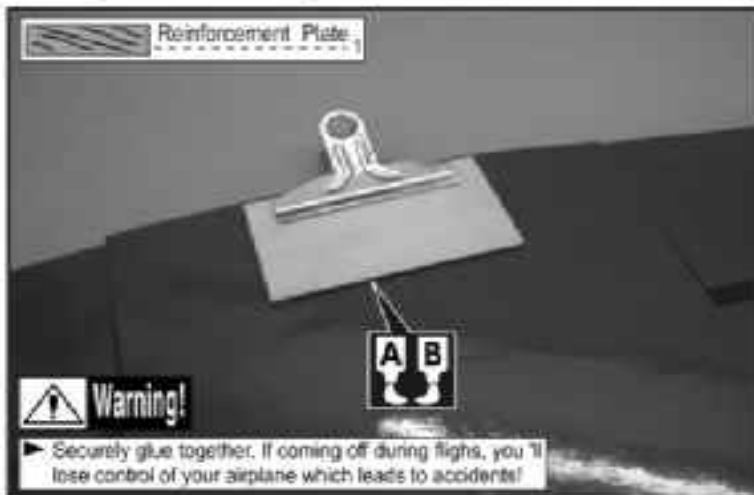


Accessory list for this page.



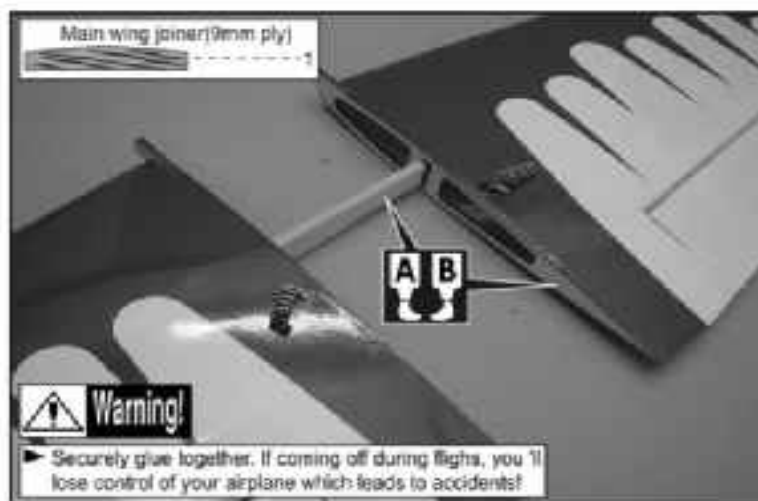
8

Epoxy the reinforcement plate securely to the main wing.



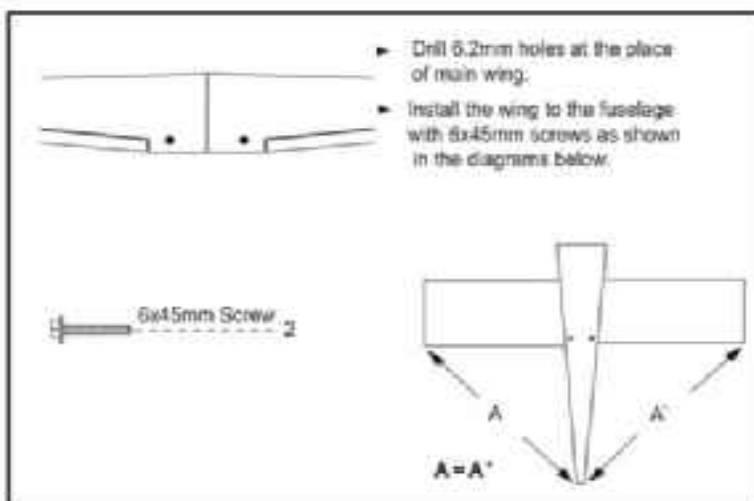
6

Epoxy two main wing panels together.



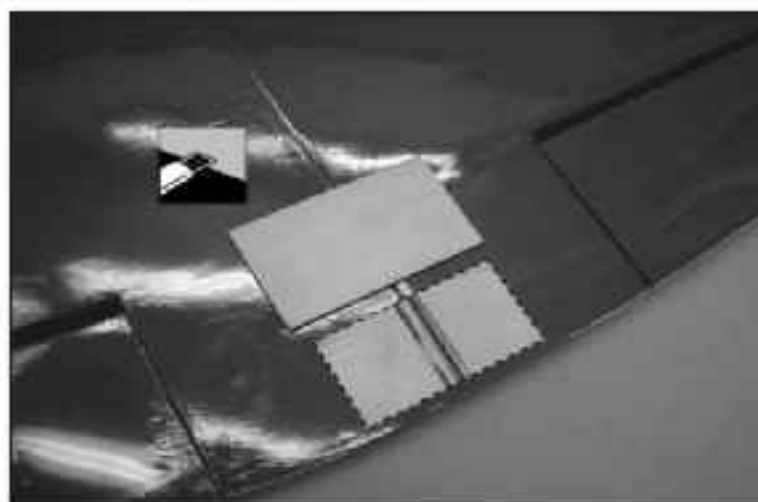
9

Install the main wing.



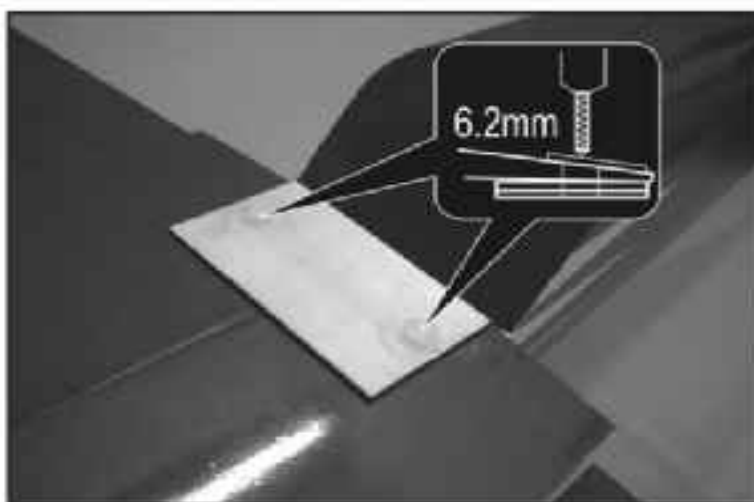
7

Peel off the film carefully on the position for the reinforcement plate.



10

Mount the main wing on the fuselage.



Apply epoxy glue

Assemble left and right sides the same way

Pay close attention here!

Do not overlook this symbol!

Apply instant glue (CA glue, super glue)

Ensure smooth non-binding movement while assembling.

Cut off shaded portion.





Accessory list for this page.

	CA Hinge	8
	Tail landing gear	1
	Tail gear supporter	1
	Tail wheel (30mm)	1
	Collar (2mm)	1

11 Assemble horizontal tail, vertical tail, tail gear separately.

警告 Warning!

- Make sure to glue securely. If not properly glued, a failure in flight may occur.
- Securely glue together. If coming off during flights, you'll lose control of your airplane which leads to accidents!
- Temporarily fasten down the main wing and check its correct position.

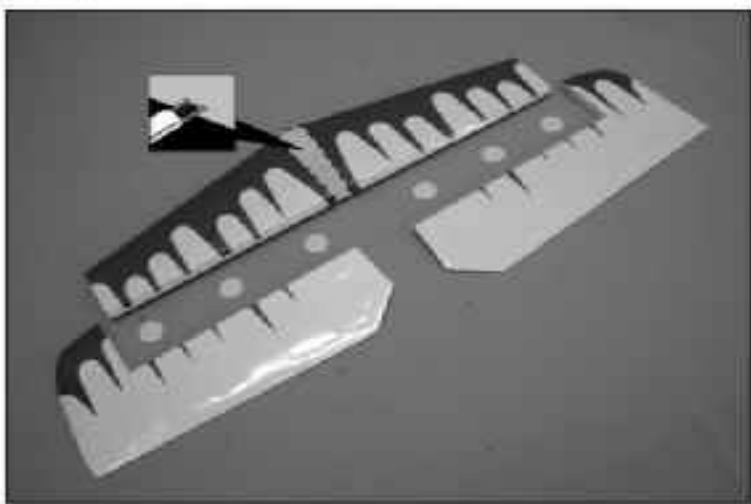
Collar 2mm

Tail gear supporter

3x4mm Set screw

2.6x14mm TP Screw

12 Cut off the film carefully as shown on the horizontal tail.



13

Install horizontal tail and elevator separately.

Warning!

Securely glue together. If coming off during flights, you'll lose control of your airplane which leads to accidents!

14

Epoxy the tail landing gear on the rudder. Cut off the film carefully as shown on the vertical tail.

2mm

45mm

12

Cut off the film carefully as shown on the horizontal tail.

15

Epoxy vertical tail and rudder steadily in position.

Warning!

Securely glue together. If coming off during flights, you'll lose control of your airplane which leads to accidents!

Apply epoxy glue.

Assemble left and right sides the same way.

Pay close attention here!

Do not overlook this symbol!

Apply instant glue (CA glue, super glue).

Ensure smooth non-binding movement while assembling.

Cut off shaded portion.



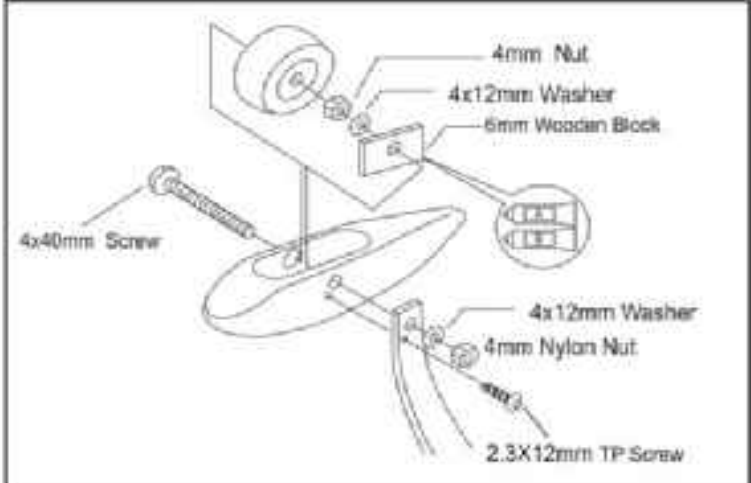


Accessory list for this page.

	Main landing gear(Aluminum)	1
	4x40mm Screw	2
	4x16mm Screw	4
	4x12mm Washer	2
	4mm Nut	2
	4mm Nylon Nut	2
	2.6x14mm TP Screw	4
	2.3x12mm TP Screw	2
	Wooden Block(20x20x6mm)	2

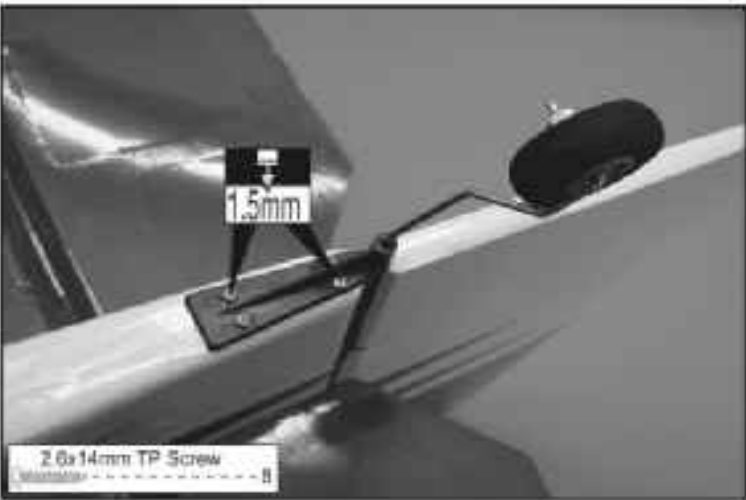
18

Insert landing gear together with wheel into the wheel pant and secure it with TP screw.



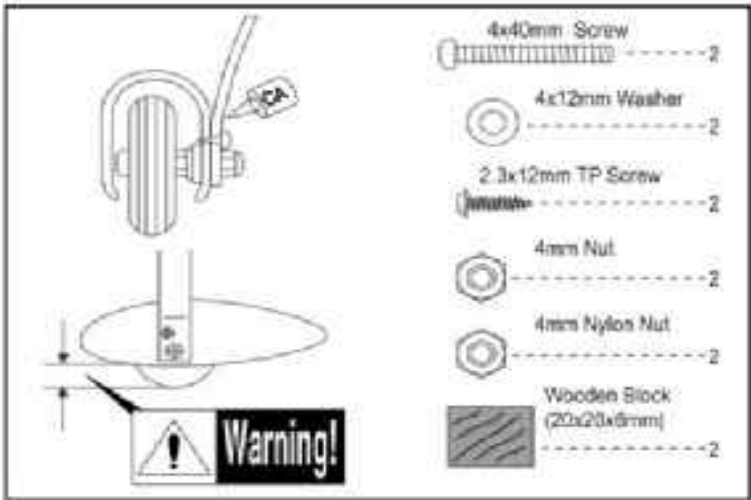
16

Assemble the tail wheel mount.



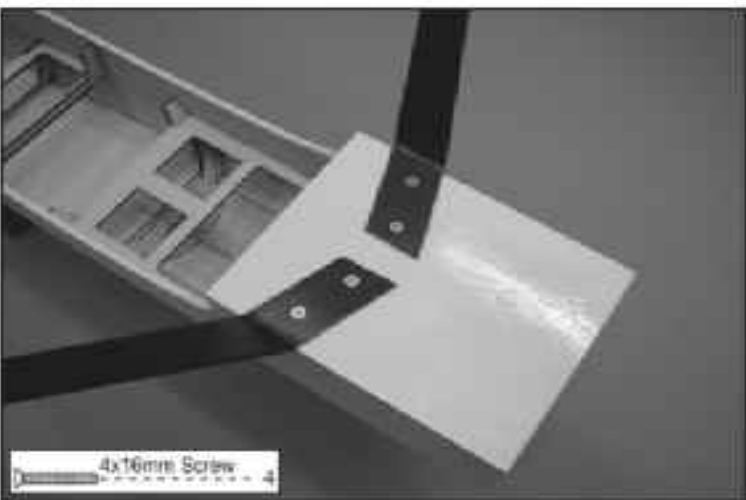
19

Attachment of the spats and the tires.



17

Attachment of the main landing gear.



20

Insert landing gear together with wheel into the wheel pant and secure it with TP screw.



Apply epoxy glue.



Assemble left and right sides the same way.



Pay close attention here!



Apply instant glue (CA glue, super glue).

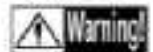


Ensure smooth non-binding movement while assembling.



Cut off shaded portion.

Do not overlook this symbol!



Warning!

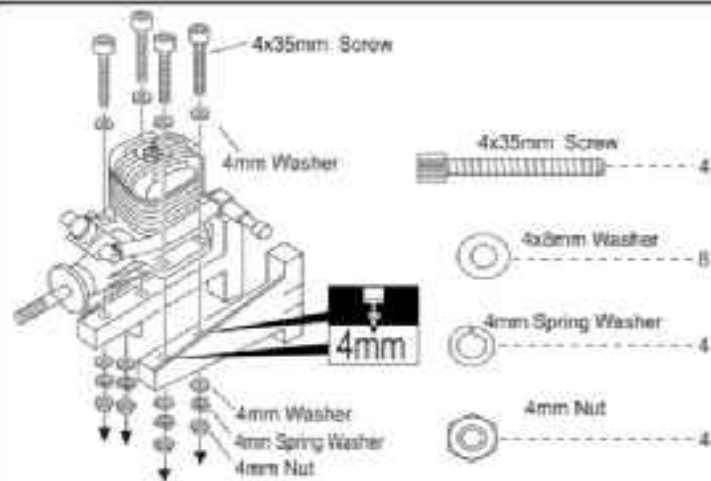


Accessory list for this page.

 4mm Blind Nut ----- 4

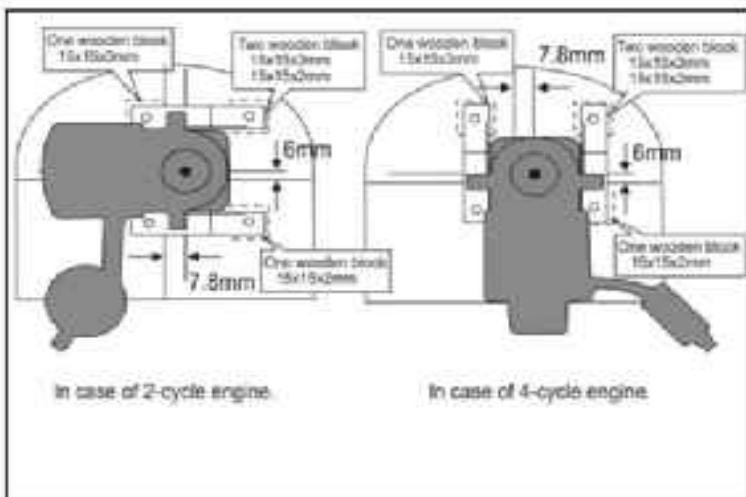
23

Assemble the engine.



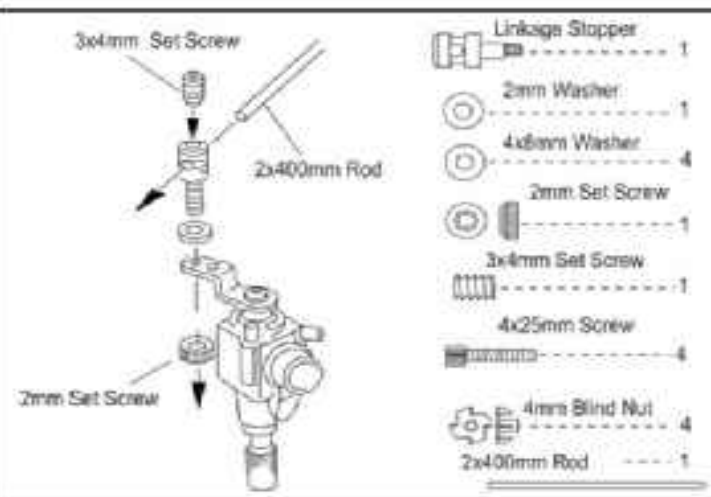
21

Assemble the engine.



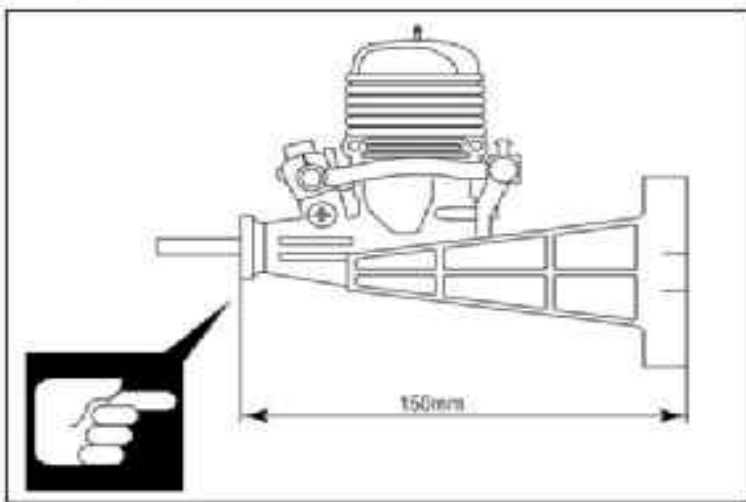
24

Assemble the engine.



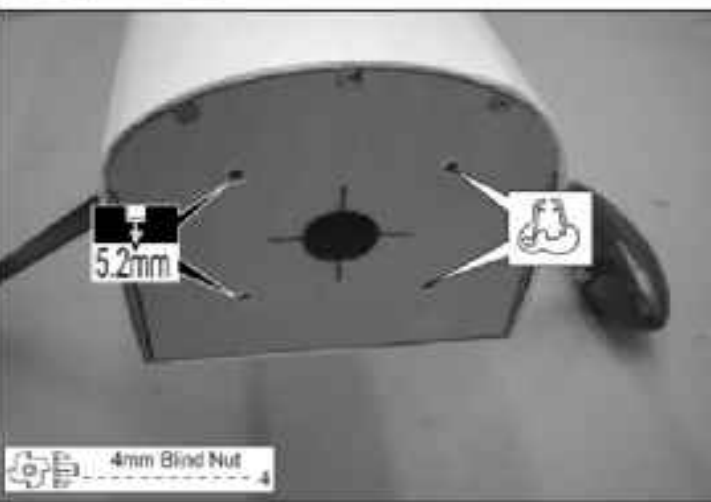
22

Assemble the engine.



25

Drill four holes at the diameters as shown for engine mount.



 Apply epoxy glue.

 Assemble left and right sides the same way.

 Pay close attention here!

Do not overlook this symbol!

 Apply instant glue (CA glue, super glue).

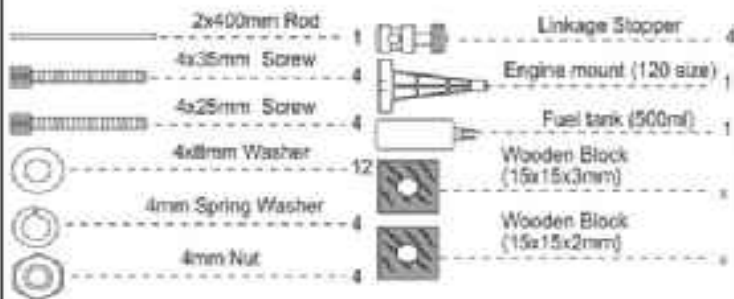
 Ensure smooth non-binding movement while assembling.

 Cut off shaded portion.





Accessory list for this page.



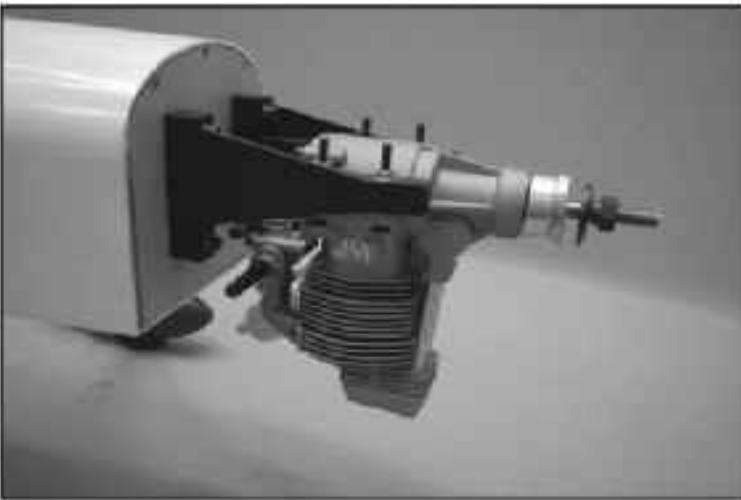
28

Mount the fuel tank into the fuselage.



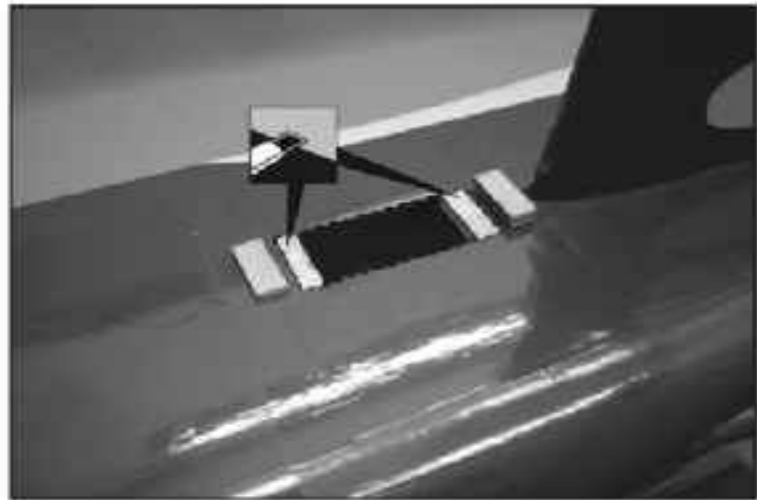
26

Install the engine.



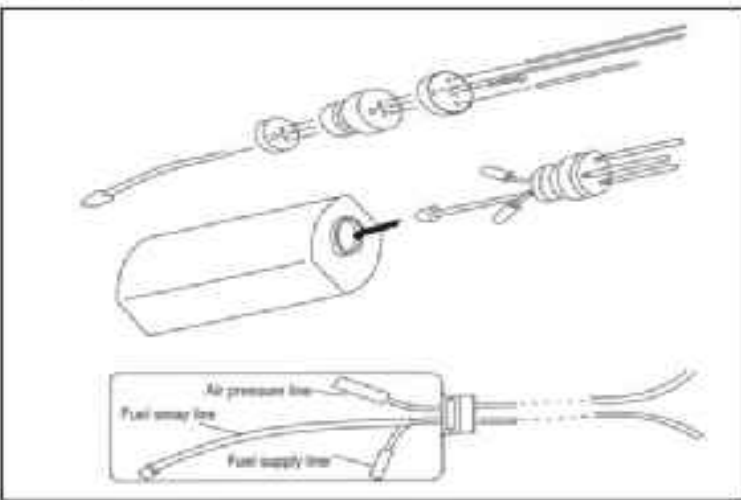
29

Cut off the film carefully for mounting the elevator servo.



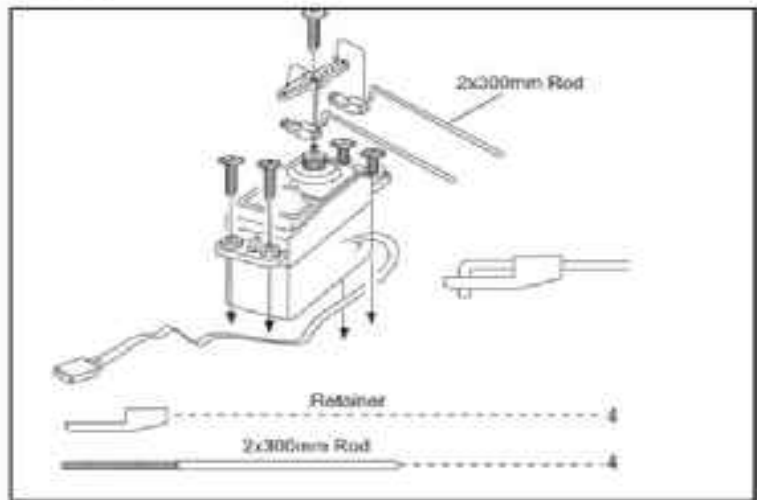
27

Assembly of the fuel tank.



30

Install the servo.



Apply epoxy glue.



Assemble left and right sides the same way.



Pay close attention here!



Apply instant glue (CA glue, super glue).



Ensure smooth non-binding movement while assembling.



Cut off shaded portion.

Do not overlook this symbol!



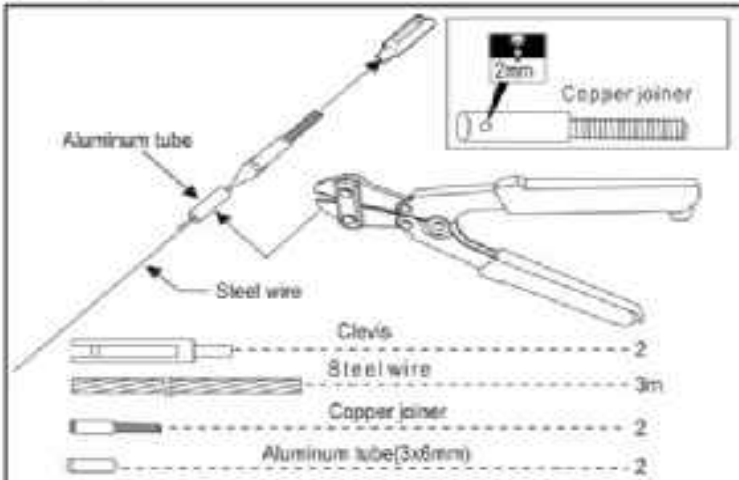


Accessory list for this page.

	Clevs	6
	Horn	6
	Retainer	4
	2x300mm Rod	4
	2x25mm Screw	2
	2x35mm Screw	4
	2mm Nut	6
	Steel wire	3m
	Copper joiner	2
	Aluminum tube(3x6mm)	2
	Wooden Block(23x9x3mm)	2
	Wooden Block(23x9x6mm)	2

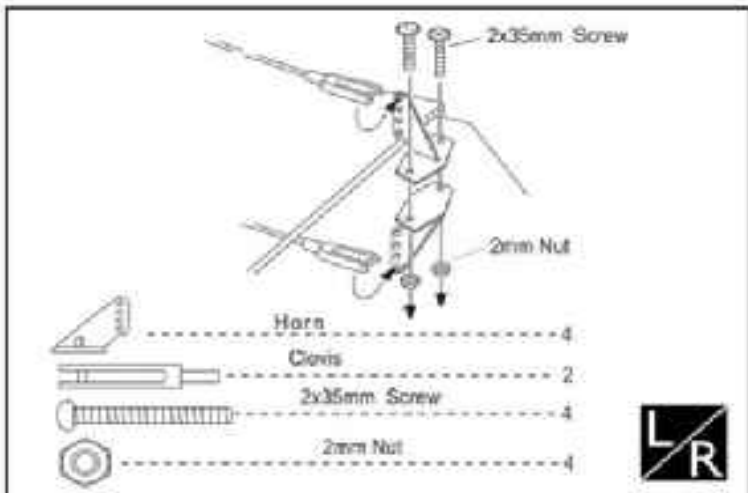
33

Insert the steel wire to the copper joiner and fasten it. Then connect the copper joiner with clevis.



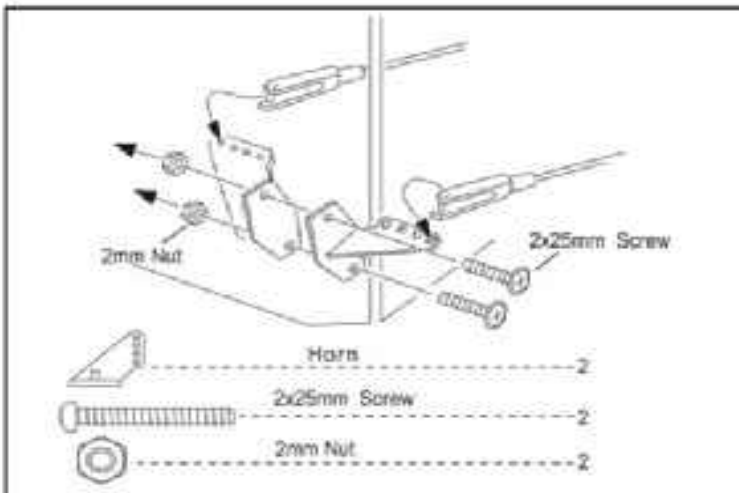
31

Connect the linkage rod to the horn.



34

Connect the linkage wire to the rudder horns.



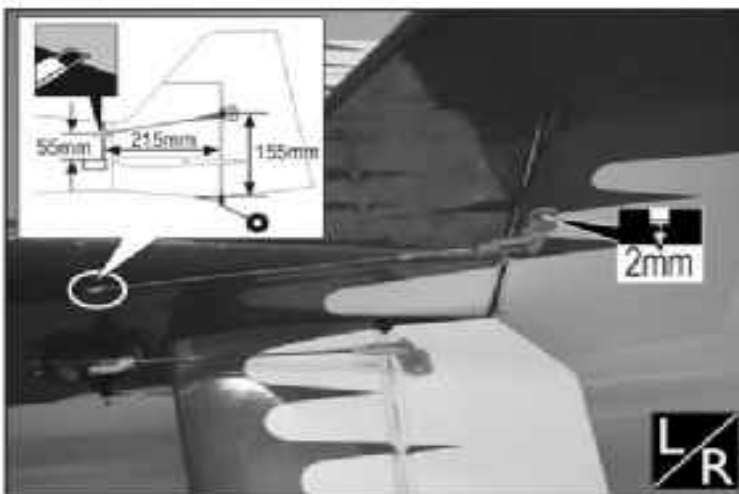
32

Secure the servo. Install the nylon control horn and connect the linkage.



35

Mount horns for elevator and rudder well in position.



Apply epoxy glue.

Assemble left and right sides the same way.

Pay close attention here!

Do not overlook this symbol!

Apply instant glue (CA glue, super glue).

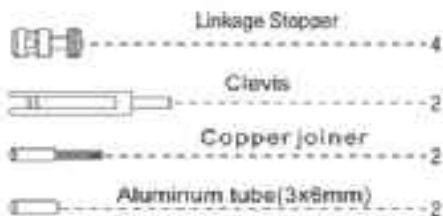
Ensure smooth non-binding movement while assembling.

Cut off shaded portion.





Accessory list for this page.



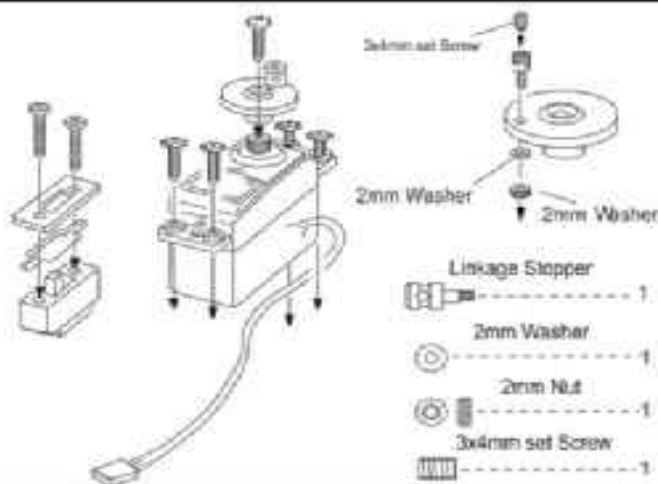
38

Install the servo.



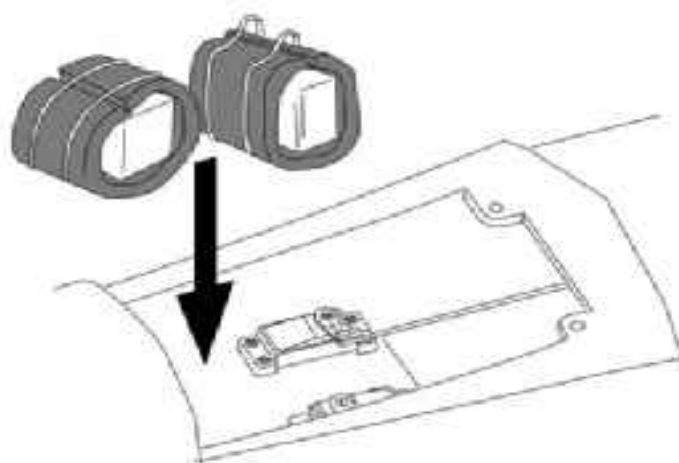
36

Assemble the servos and switch in the fuselage.



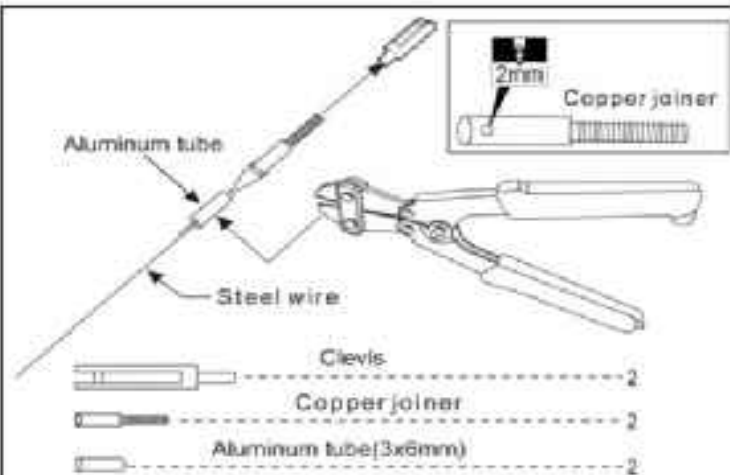
39

Mounting of the receiver and the battery.



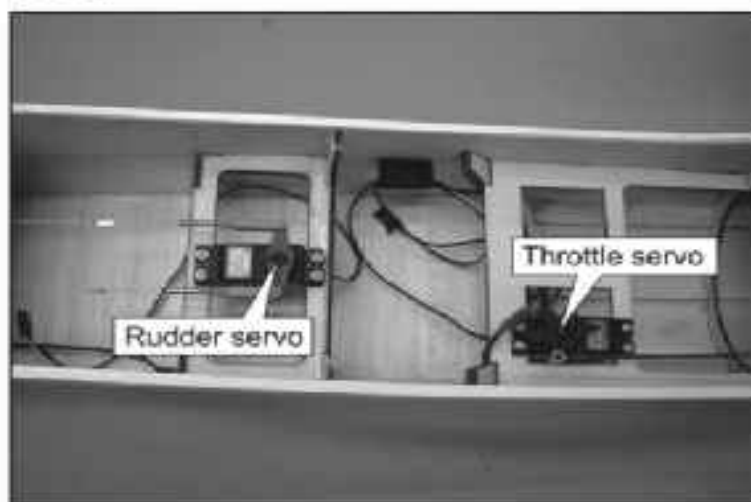
37

Insert the steel wire to the copper joiner and fasten it. Then connect the copper joiner with clevis.



40

Assemble the servos and switch in the fuselage.



Apply epoxy glue.



Assemble left and right sides the same way.



Pay close attention here!



Apply instant glue (CA glue, super glue).



Ensure smooth non-binding movement while assembling.



Cut off shaded portion.

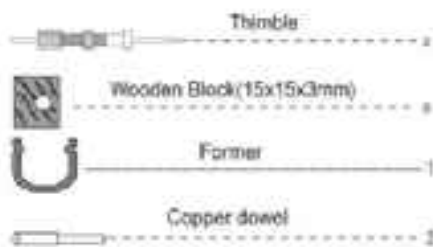
Do not overlook this symbol!



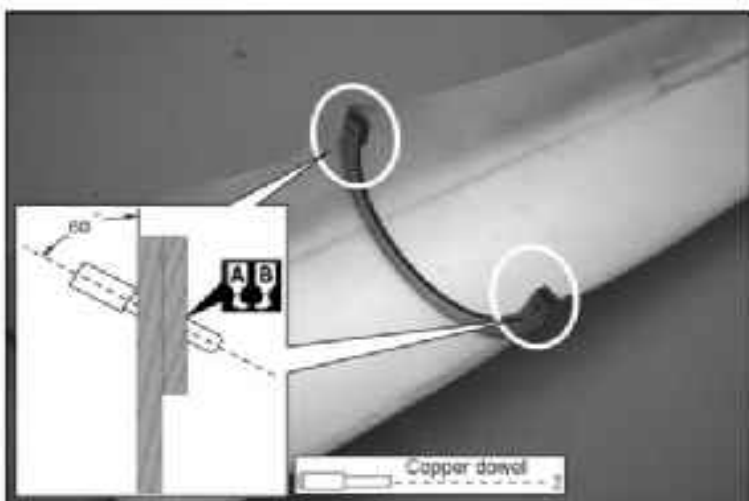
Warning!



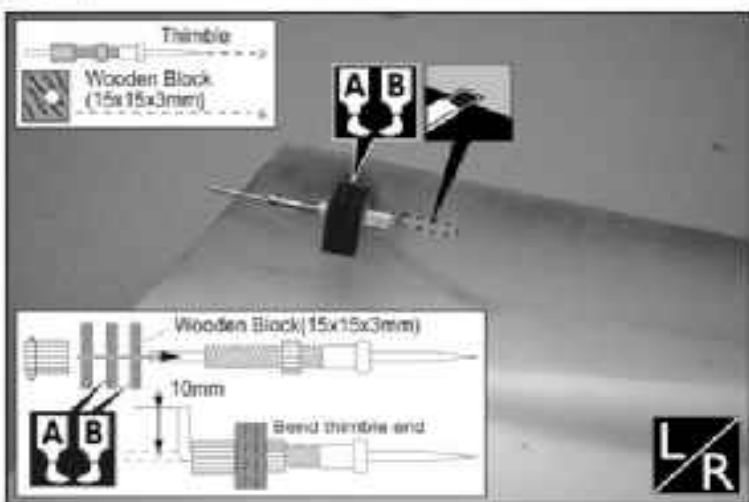
Accessory list for this page.



41 Drill holes through ply former and wooden block. Glue copper dowel to the holes at 60° angle



42 Install thimble.



43

Exopy former in right position.



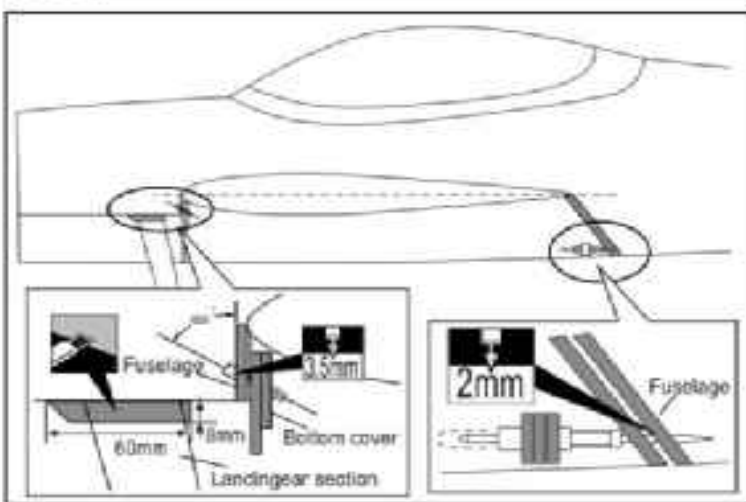
44

Cut out holes for heat sinking.



45

Mount bottom cover on fuselage.



A/B Apply epoxy glue.

ICA Apply instant glue (CA glue, super glue).

LR Assemble left and right sides the same way.

↺ Ensure smooth non-binding movement while assembling.

👁 Pay close attention here!

🔪 Cut off shaded portion.

Do not overlook this symbol!



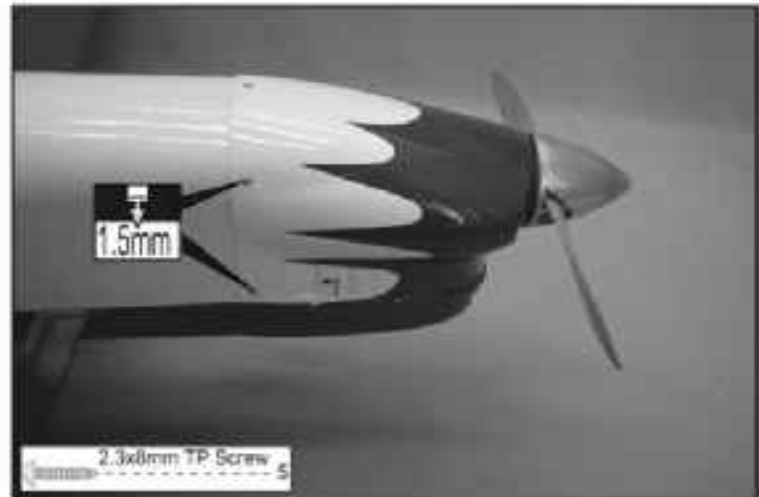


Accessory list for this page.



48

Assemble the muffler and fix the cowling with self-tapping screws.



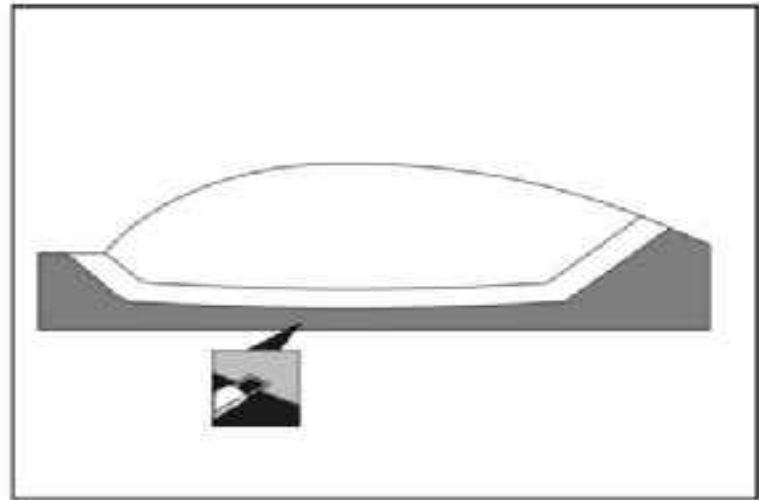
46

Install bottom cover



49

Cut away the surplus parts of plastic cover carefully along the shaded line.



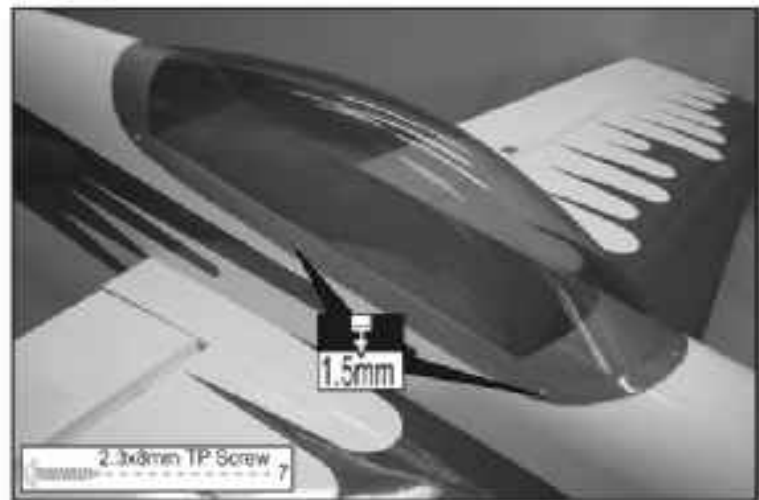
47

Trim the cowling for engine and muffler.



50

Mount the PVC canopy well in position.



Apply epoxy glue.



Assemble left and right sides the same way.



Pay close attention here!



Apply instant glue (CA glue, super glue).



Ensure smooth non-binding movement while assembling.



Cut off shaded portion.

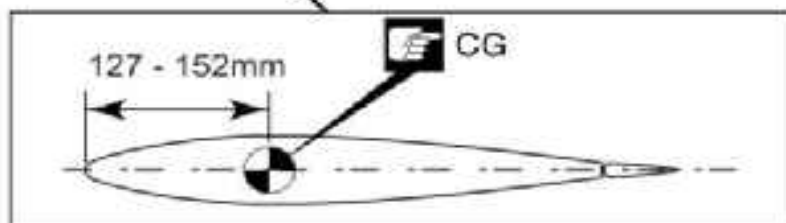
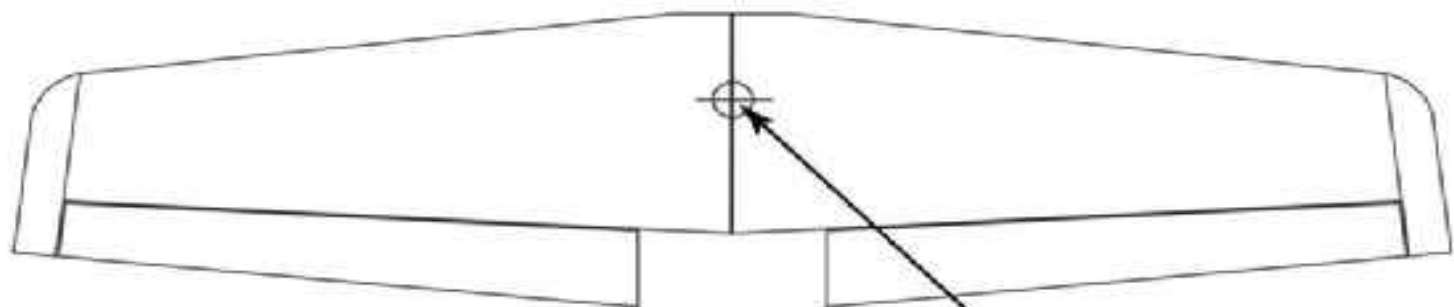
Do not overlook this symbol!



Warning!



- ▶ Never fly before checking the CG's required position.
- ▶ In order to obtain the CG specified, reposition the receiver and battery.

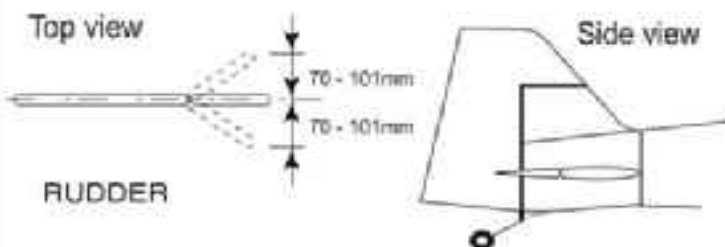


警告
Warning!

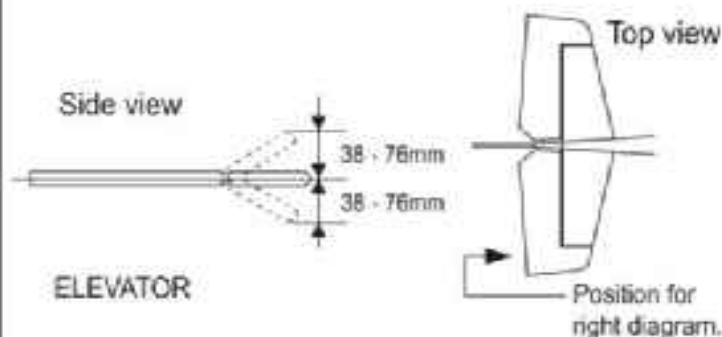
- ▶ **NEVER fly the model without well balancing.**



- ▶ Adjust the travel of each control surface to the values in the diagrams. These values fit general flight capabilities. Readjust according to your needs and flight level.



- ▶ Adjust the travel of each control surface to the values in the diagrams. These values fit general flight capabilities. Readjust according to your needs and flight level.



Apply epoxy glue.



Assemble left and right sides the same way.



Pay close attention here!



Apply instant glue (CA glue, super glue).



Ensure smooth non-binding movement while assembling.



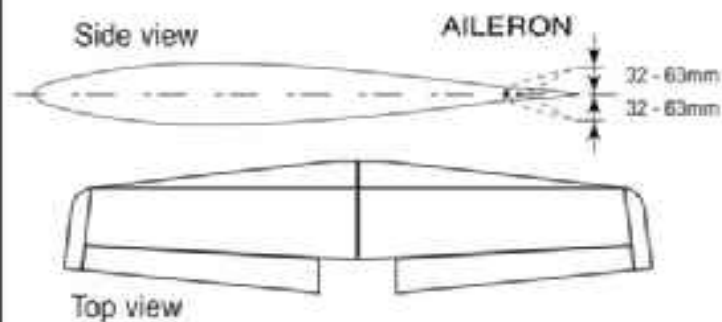
Cut off shaded portion.

Do not overlook this symbol!





- Adjust the travel of each control surface to the values in the diagrams.
These values fit general flight capabilities.
Readjust according to your needs and flight level.



Apply epoxy glue.



Assemble left and right sides the same way.



Pay close attention here!



Apply instant glue (CA glue, super glue).



Ensure smooth non-binding movement while assembling.



Cut off shaded portion.

Do not overlook this symbol!

